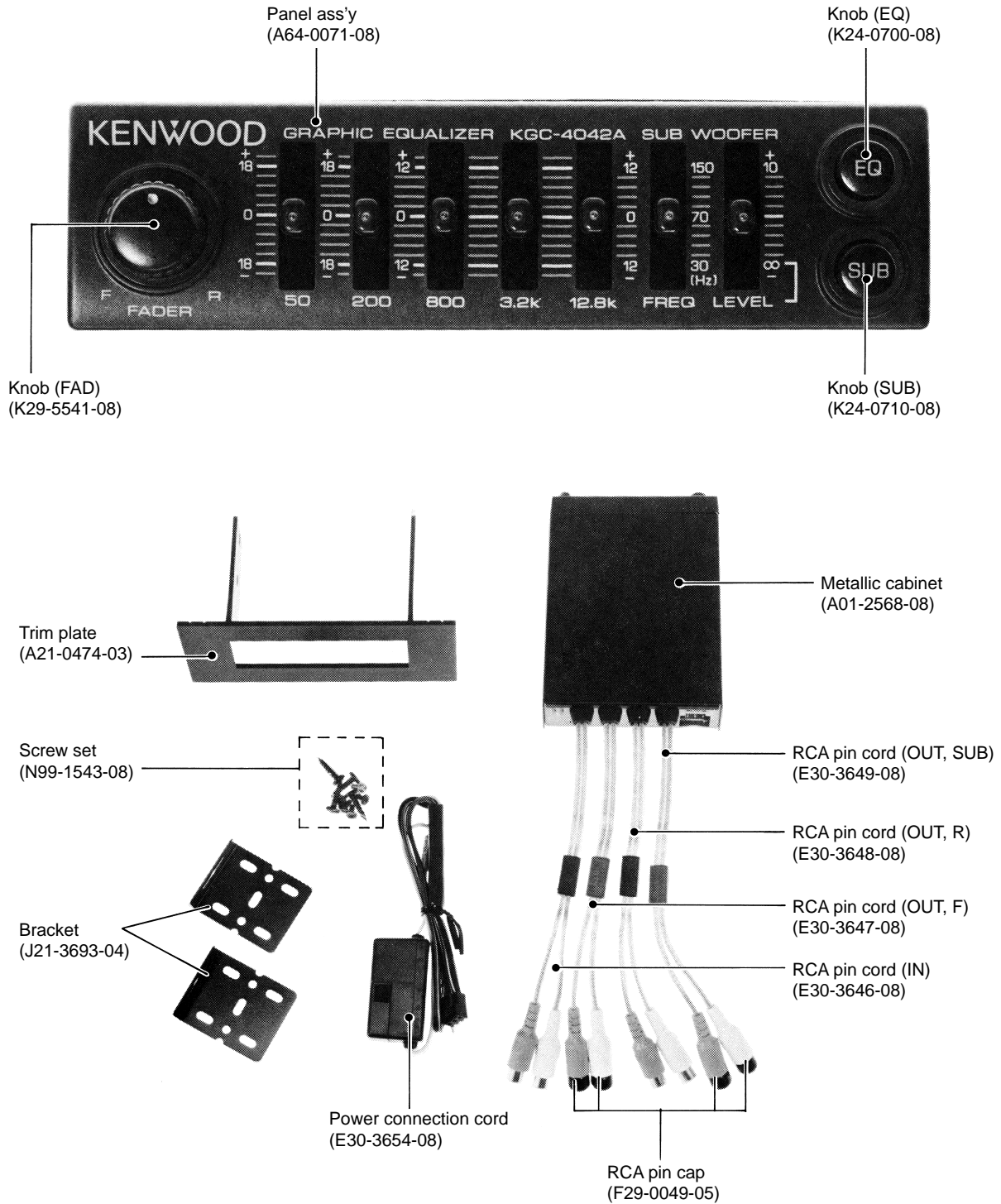
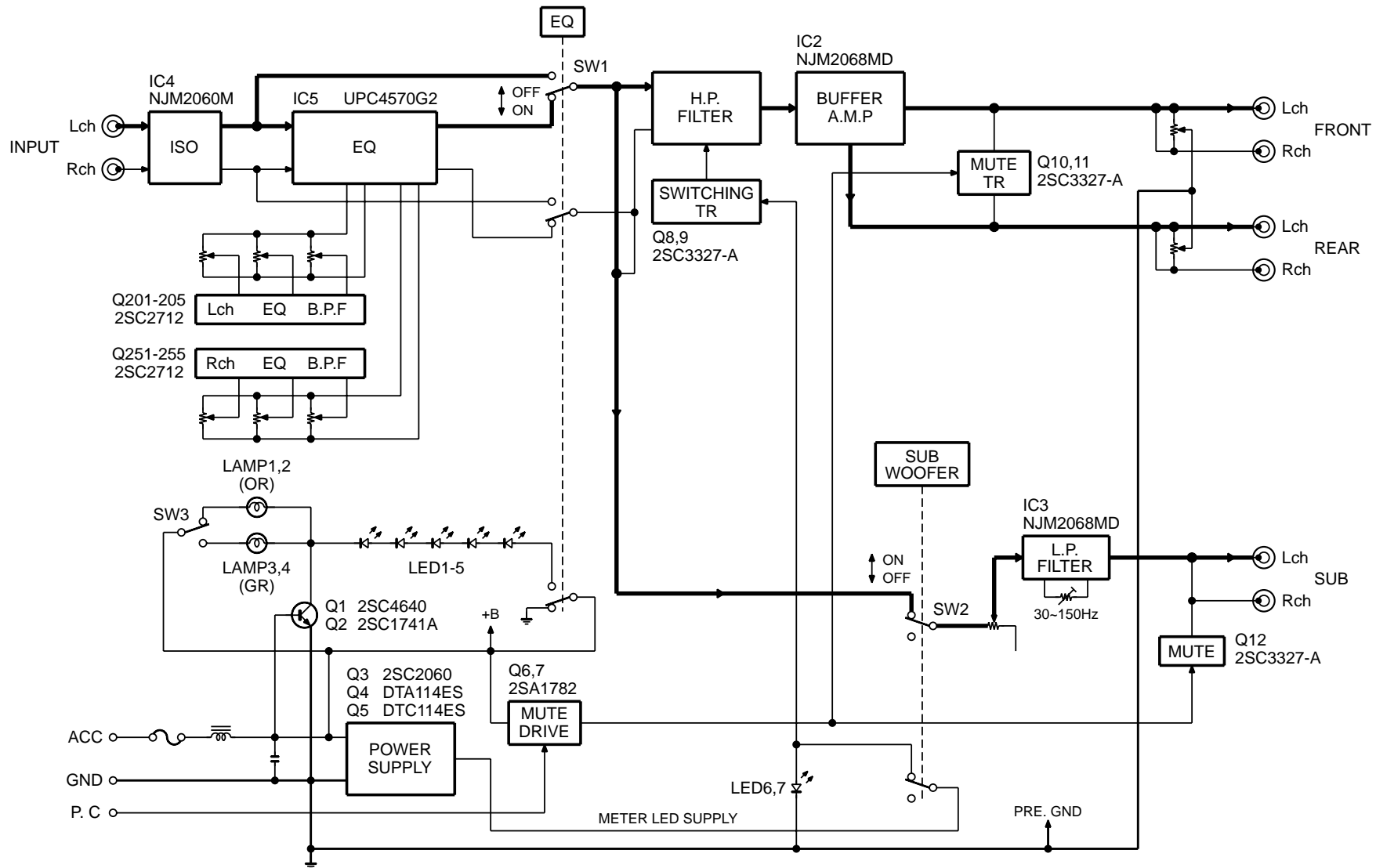


REVISED S/No. 10700001~



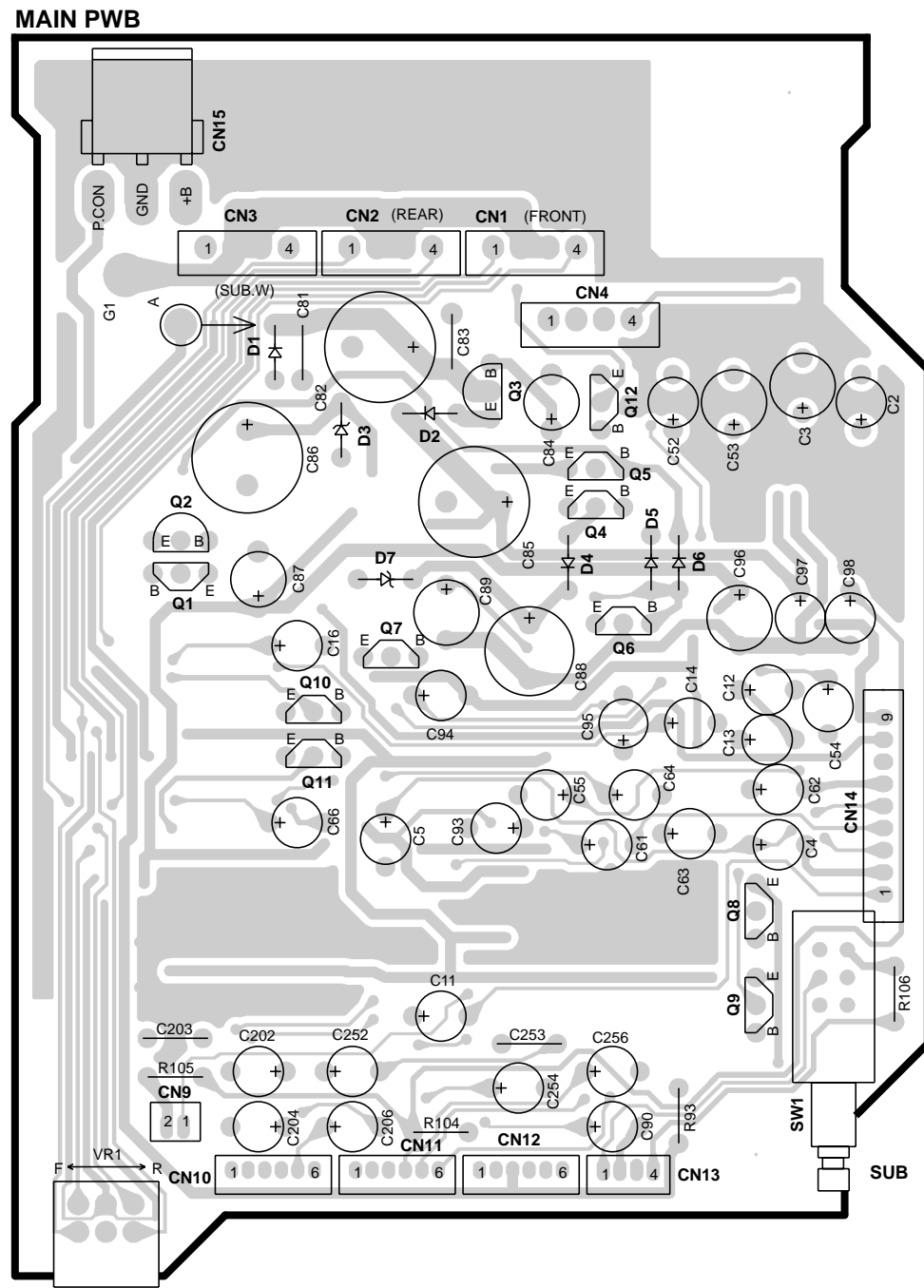


BLOCK DIAGRAM

KGC-4042A

PC BOARD (Component side view)

ELECTRIC UNIT

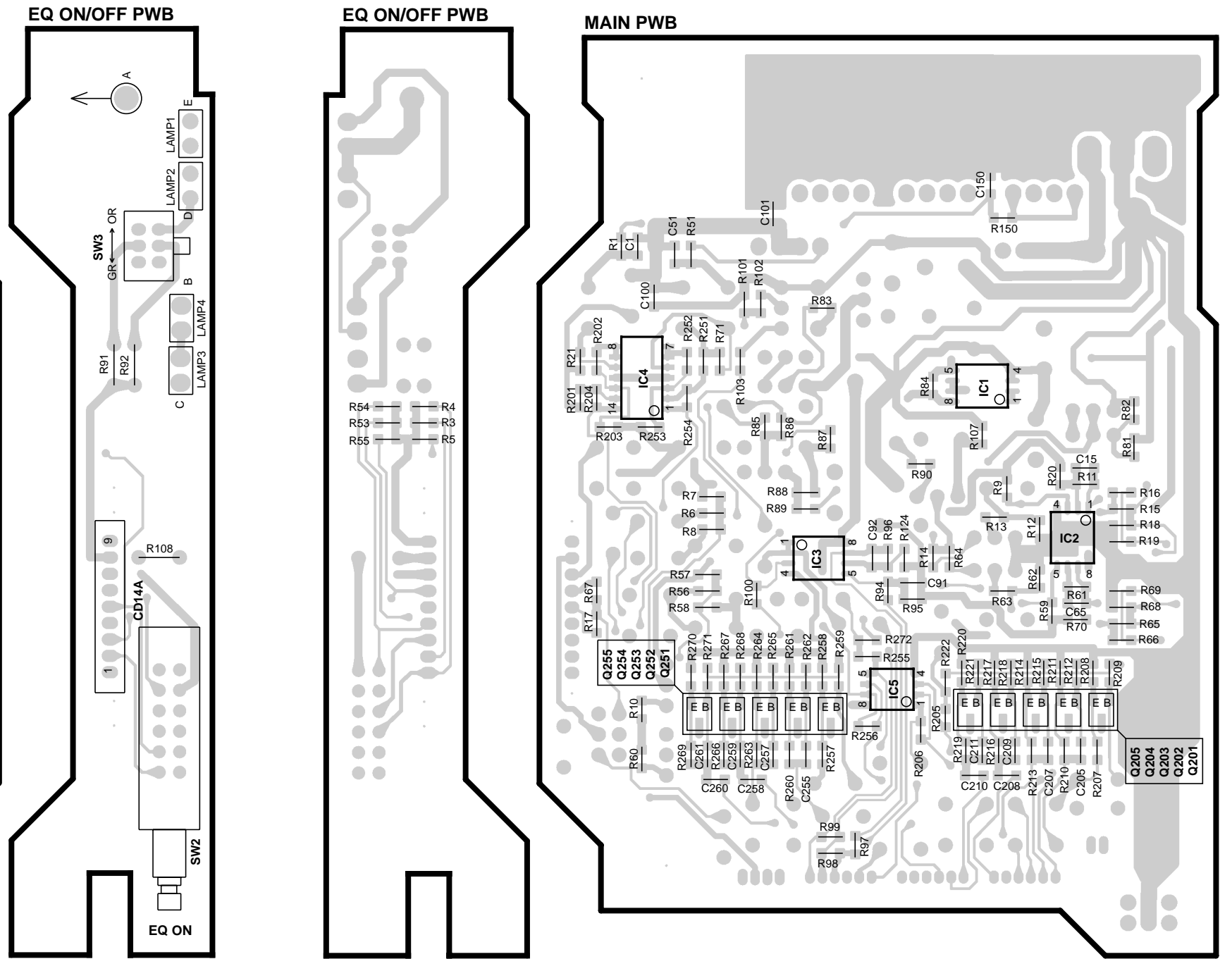


Ref. No.	Q1	Q2	Q3	Q4	Q5	Q6
Address	3B	3B	3C	3C	3C	4C
Ref. No.	Q7	Q8	Q9	Q10	Q11	Q12
Address	3B	4D	5D	4B	4B	3C

Refer to the schematic diagram for the values of resistors and capacitors.

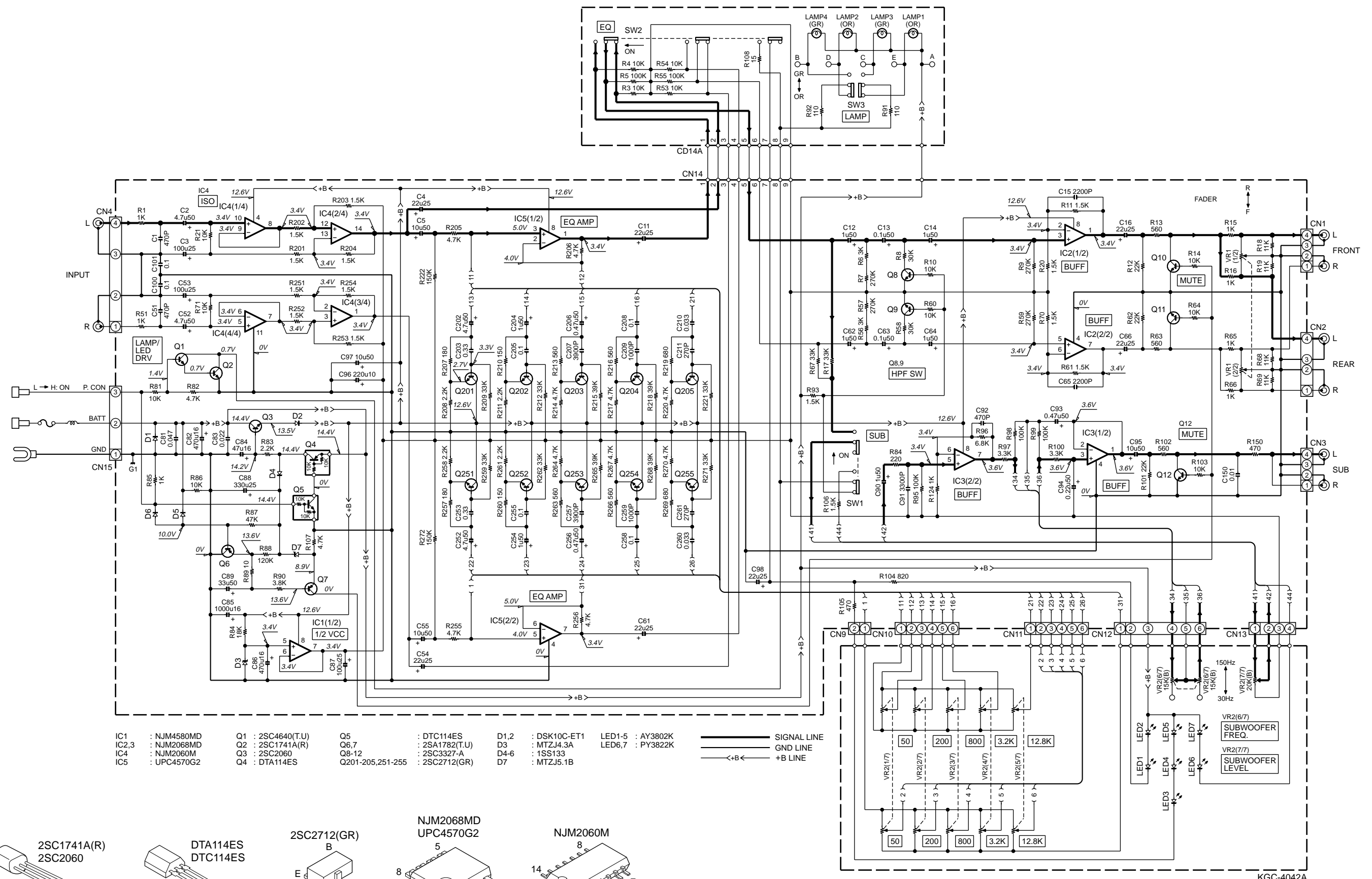
PC BOARD (Foil side view)

ELECTRIC UNIT



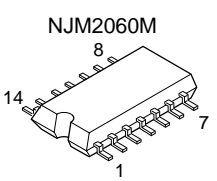
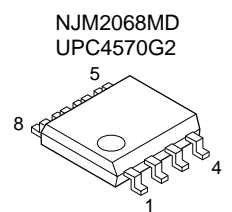
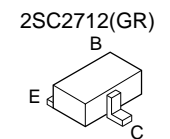
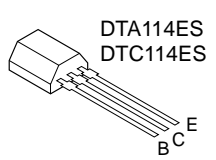
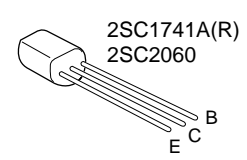
Ref. No.	IC1	IC2	IC3	IC4	IC5					
Address	3I	4I	4H	3G	4I					
Ref. No.	Q201	Q202	Q203	Q204	Q205	Q251	Q252	Q253	Q254	Q255
Address	5J	5J	5J	5J	5J	4G	4G	4G	4G	4G

Refer to the schematic diagram for the values of resistors and capacitors.



IC1 : NJM4580MD	Q1 : 2SC4640(T.U)	Q5 : DTC114ES	D1,2 : DSK10C-ET1	LED1-5 : AY3802K
IC2,3 : NJM2068MD	Q2 : 2SC1741A(R)	Q6,7 : 2SA1782(T.U)	D3 : MTZJ4.3A	LED6,7 : PY3822K
IC4 : NJM2060M	Q3 : 2SC2060M	Q8-12 : 2SC3327-A	D4-6 : 1SS133	
IC5 : UPC4570G2	Q4 : DTA114ES	Q201-205,251-255 : 2SC2712(GR)	D7 : MTZJ5.1B	

— SIGNAL LINE
 — GND LINE
 <-B< +B LINE

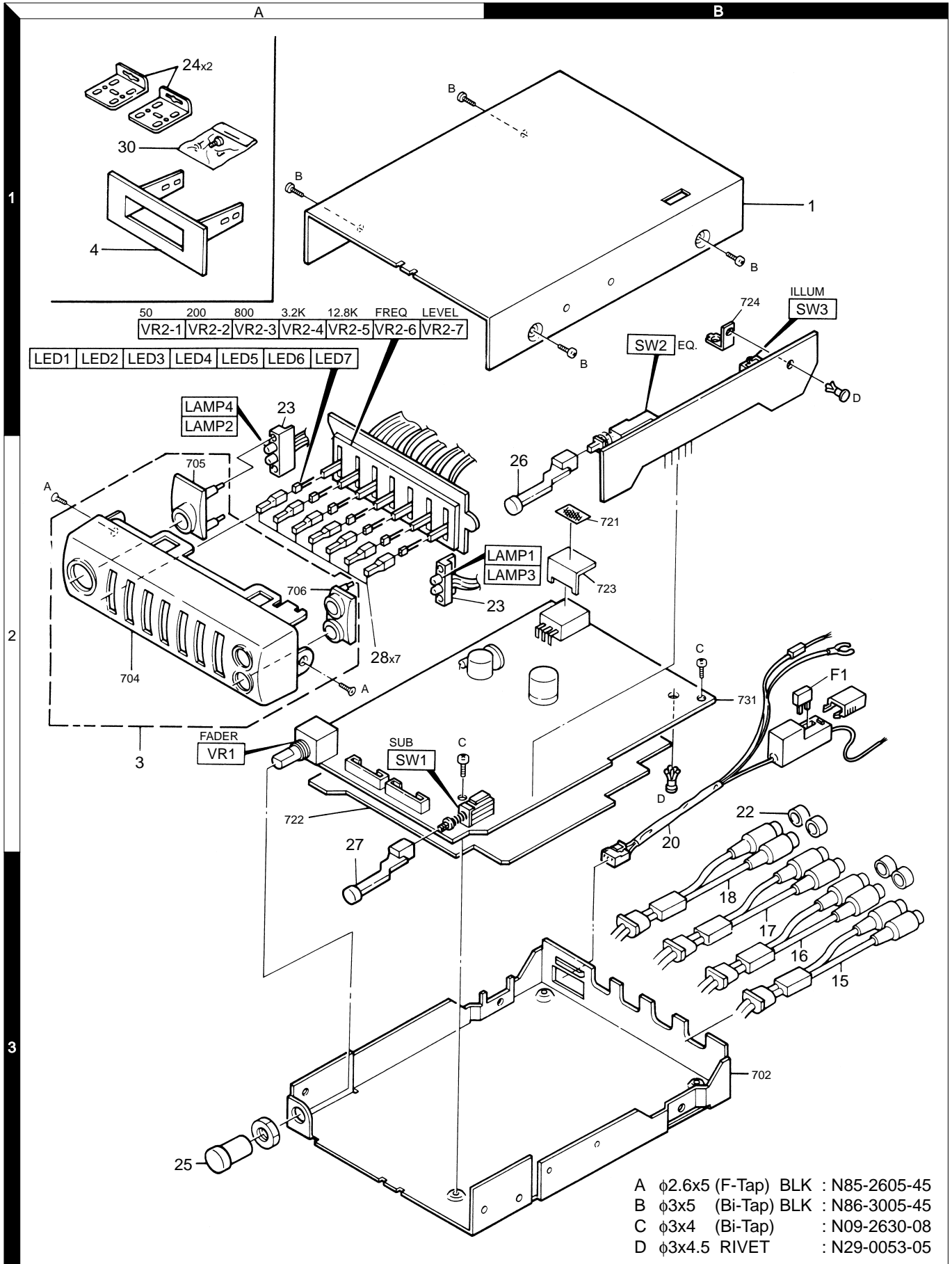


CAUTION: For continued safety, replace safety critical components only with manufacturer's recommended parts (refer to parts list). ⚠ Indicates safety critical components. To reduce the risk of electric shock, leakage-current or resistance measurements shall be carried out (exposed parts are acceptably insulated from the supply circuit) before the appliance is returned to the customer.

•DC voltages are as measured with a high impedance voltmeter. Values may vary slightly due to variations between individual instruments or/and units.

KGC-4042A
KENWOOD

EXPLODED VIEW



Parts with exploded view numbers larger than 700 are not supplied.

PARTS LIST

*New Parts

Parts without **Parts No.** are not supplied.

Les articles non mentionnés dans le **Parts No.** ne sont pas fournis.

Teile ohne **Parts No.** werden nicht geliefert.

Ref. No.	A d d	N e w	Parts No.	Description	Des- tina- tion
KGC-4042A					
1	1B		A01-2568-08	METALLIC CABINET	
3	2A		A64-0071-08	PANEL ASSY	
4	1A		A21-0474-03	DRESSING PANEL	
-			B46-0100-50	WARRANTY CARD	
-			B64-0229-00	INSTRUCTION MANUAL	
15	3B		E30-3646-08	CORD WITH PLUG (IN)	
16	3B		E30-3647-08	CORD WITH PLUG (OUT-F)	
17	3B		E30-3648-08	CORD WITH PLUG (OUT-R)	
18	3B		E30-3649-08	CORD WITH PLUG (OUT-SUB)	
20	2B		E30-3654-08	DC CORD	
22	2B		F29-0049-05	INSULATING COVER	
F1	2B		F06-3026-05	FUSE (3A)	
-			H01-9463-08	ITEM CARTON CASE	
-			H10-4326-08	POLYSTYRENE FOAMED FIXTURE	
-			H11-1502-08	POLYSTYRENE FOAMED BOARD	
-			H25-0233-04	PROTECTION BAG (50X100)	
-			H25-1101-04	PROTECTION BAG (150X500)	
-			H25-1642-04	PROTECTION BAG (200X300)	
23	2A		J19-4495-08	LAMP HOLDER	
24	1A		J21-3693-04	L TYPE HARDWARE FIXTURE	
25	3A		K29-5541-08	KNOB (FADER)	
26	2B		K24-0700-08	KNOB (EQ)	
27	2A		K24-0710-08	KNOB (SUB)	
28	2A		K29-3501-08	KNOB ASS'Y (GE)	
30	1A		N99-1543-08	SCREW SET	
A	2A		N85-2605-45	FLAT HEAD TAPTITE SCREW	
B	1A		N86-3005-45	BINDING HEAD TAPTITE SCREW	
C	2B		N09-2630-08	TAPTITE SCREW	
D	2B		N29-0053-05	PUSH RIVET	
ELECTRIC UNIT					
LAMP1,2	2B		B30-1396-08	LAMP ASS'Y	
LAMP3,4	2B		B30-1397-08	LAMP ASS'Y	
LED1 -5	1A		AY3802K	LED	
LED6 ,7	1A		PY3822K	LED	
C1			CC73FCH1H471J	CHIP C 470PF J	
C2			CE04DW1H4R7M	ELECTRO 4.7UF 50WV	
C3			CE04DW1A101M	ELECTRO 100UF 10WV	
C4			CE04NW1E220M	ELECTRO 22UF 25WV	
C5			CE04DW1H100M	ELECTRO 10UF 50WV	
C11			CE04NW1E220M	ELECTRO 22UF 25WV	
C12			CE04DW1H010M	ELECTRO 1.0UF 50WV	
C13			CE04NW1H0R1M	ELECTRO 0.1UF 50WV	
C14			CE04DW1H010M	ELECTRO 1.0UF 50WV	
C15			CK73FB1H222K	CHIP C 2200PF K	
C16			CE04NW1E220M	ELECTRO 22UF 25WV	
C51			CC73FCH1H471J	CHIP C 470PF J	
C52			CE04DW1H4R7M	ELECTRO 4.7UF 50WV	
C53			CE04DW1A101M	ELECTRO 100UF 10WV	
C54			CE04NW1E220M	ELECTRO 22UF 25WV	
C55			CE04DW1H100M	ELECTRO 10UF 50WV	
C61			CE04NW1E220M	ELECTRO 22UF 25WV	

Ref. No.	A d d	N e w	Parts No.	Description	Des- tina- tion
C62			CE04DW1H010M	ELECTRO 1.0UF 50WV	
C63			CE04NW1H0R1M	ELECTRO 0.1UF 50WV	
C64			CE04DW1H010M	ELECTRO 1.0UF 50WV	
C65			CK73FB1H222K	CHIP C 2200PF K	
C66			CE04NW1E220M	ELECTRO 22UF 25WV	
C81			CF92FV1H473J	MF-C 0.047UF J	
C82			CE04DW1C471M	ELECTRO 470UF 16WV	
C83			CK45FF1H223Z	CERAMIC 0.022UF Z	
C84			CE04NW1C470M	ELECTRO 47UF 16WV	
C85			C90-5249-08	ELECTRO 1000UF 16WV	
C86			CE04DW1C471M	ELECTRO 470UF 16WV	
C87			CE04DW1A101M	ELECTRO 100UF 10WV	
C88			CE04DW1C331M	ELECTRO 330UF 16WV	
C89			CE04DW1V330M	ELECTRO 33UF 35WV	
C90			CE04DW1H010M	ELECTRO 1.0UF 50WV	
C91			CK73FB1H332K	CHIP C 3300PF K	
C92			CC73FCH1H471J	CHIP C 470PF J	
C93			CE04DW1HR47M	ELECTRO 0.47UF 50WV	
C94			CE04NW1HR22M	ELECTRO 0.22UF 50WV	
C95			CE04DW1H100M	ELECTRO 10UF 50WV	
C96			CE04DW1A221M	ELECTRO 220UF 10WV	
C97			CE04DW1H100M	ELECTRO 10UF 50WV	
C98			CE04NW1E220M	ELECTRO 22UF 25WV	
C100			CK73FB1H104K	CHIP C 0.10UF K	
C101			CK73FB1H104K	CHIP C 0.10UF K	
C150			CK73FB1H103K	CHIP C 0.010UF K	
C202			CE04DW1H4R7M	ELECTRO 4.7UF 50WV	
C203			CF92FV1H334J	MF-C 0.33UF J	
C204			CE04DW1H010M	ELECTRO 1.0UF 50WV	
C205			CK73FB1H104K	CHIP C 0.10UF K	
C206			CE04DW1HR47M	ELECTRO 0.47UF 50WV	
C207			CK73FB1H392K	CHIP C 3900PF K	
C208			CK73FB1H104K	CHIP C 0.10UF K	
C209			CK73FB1H102K	CHIP C 1000PF K	
C210			CK73FB1H333K	CHIP C 0.033UF K	
C211			CC73FCH1H271J	CHIP C 270PF J	
C252			CE04DW1H4R7M	ELECTRO 4.7UF 50WV	
C253			CF92FV1H334J	MF-C 0.33UF J	
C254			CE04DW1H010M	ELECTRO 1.0UF 50WV	
C255			CK73FB1H104K	CHIP C 0.10UF K	
C256			CE04DW1HR47M	ELECTRO 0.47UF 50WV	
C257			CK73FB1H392K	CHIP C 3900PF K	
C258			CK73FB1H104K	CHIP C 0.10UF K	
C259			CK73FB1H102K	CHIP C 1000PF K	
C260			CK73FB1H333K	CHIP C 0.033UF K	
C261			CC73FCH1H271J	CHIP C 270PF J	
CN1 -4			E40-3239-05	PIN ASS'Y	
CN9		*	E39-0459-08	WIRING HARNESS	
CN9		*	E41-0009-05	PIN ASS'Y	
CN10		*	E39-0456-08	WIRING HARNESS	
CN10		*	E41-0223-08	PIN ASS'Y	
CN11		*	E39-0456-08	WIRING HARNESS	
CN11		*	E41-0223-08	PIN ASS'Y	
CN12		*	E39-0456-08	WIRING HARNESS	

PARTS LIST

*New Parts


Parts without **Parts No.** are not supplied.

Les articles non mentionnes dans le **Parts No.** ne sont pas fournis.

Teile ohne **Parts No.** werden nicht geliefert.

Ref. No.	A d d	N e w	Parts No.	Description	Des- tina- tion	Ref. No.	A d d	N e w	Parts No.	Description	Des- tina- tion
CN12		*	E41-0223-08	PIN ASS'Y		R98_99			RK73FB2A104J	CHIP R 100K	J 1/10W
CN13		*	E39-0458-08	WIRING HARNESS		R100			RK73FB2A332J	CHIP R 3.3K	J 1/10W
CN13		*	E41-0090-05	PIN ASS'Y		R101			RK73FB2A223J	CHIP R 22K	J 1/10W
CN14		*	E39-0457-08	WIRING HARNESS		R102			RK73FB2A561J	CHIP R 560	J 1/10W
CN15			E40-3677-05	SOCKET FOR PIN ASS'Y		R103			RK73FB2A103J	CHIP R 10K	J 1/10W
R1			RK73FB2A102J	CHIP R 1.0K	J 1/10W	R104			RD14BB2C621J	RD 620	J 1/6W
R3_4			RK73FB2A103J	CHIP R 10K	J 1/10W	R105			RD14BB2C471J	RD 470	J 1/6W
R5			RK73FB2A104J	CHIP R 100K	J 1/10W	R106			RD14BB2C152J	RD 1.5K	J 1/6W
R6			RK73FB2A302J	CHIP R 3.0K	J 1/10W	R107			RK73FB2A472J	CHIP R 4.7K	J 1/10W
R7			RK73FB2A274J	CHIP R 270K	J 1/10W	R108			RD14BB2C150J	RD 15	J 1/6W
R8			RK73FB2A303J	CHIP R 30K	J 1/10W	R124			RK73FB2A102J	CHIP R 1.0K	J 1/10W
R9			RK73FB2A274J	CHIP R 270K	J 1/10W	R150			RK73FB2A471J	CHIP R 470	J 1/10W
R10			RK73FB2A103J	CHIP R 10K	J 1/10W	R201-204			RK73FB2A152J	CHIP R 1.5K	J 1/10W
R11			RK73FB2A152J	CHIP R 1.5K	J 1/10W	R205,206			RK73FB2A472J	CHIP R 4.7K	J 1/10W
R12			RK73FB2A223J	CHIP R 22K	J 1/10W	R207			RK73FB2A181J	CHIP R 180	J 1/10W
R13			RK73FB2A561J	CHIP R 560	J 1/10W	R208			RK73FB2A222J	CHIP R 2.2K	J 1/10W
R14			RK73FB2A103J	CHIP R 10K	J 1/10W	R209			RK73FB2A333J	CHIP R 33K	J 1/10W
R15_16			RK73FB2A102J	CHIP R 1.0K	J 1/10W	R210			RK73FB2A151J	CHIP R 150	J 1/10W
R17			RK73FB2A333J	CHIP R 33K	J 1/10W	R211			RK73FB2A222J	CHIP R 2.2K	J 1/10W
R18_19			RK73FB2A113J	CHIP R 11K	J 1/10W	R212			RK73FB2A333J	CHIP R 33K	J 1/10W
R20			RK73FB2A152J	CHIP R 1.5K	J 1/10W	R213			RK73FB2A561J	CHIP R 560	J 1/10W
R21			RK73FB2A103J	CHIP R 10K	J 1/10W	R214			RK73FB2A472J	CHIP R 4.7K	J 1/10W
R51			RK73FB2A102J	CHIP R 1.0K	J 1/10W	R215			RK73FB2A393J	CHIP R 39K	J 1/10W
R53_54			RK73FB2A103J	CHIP R 10K	J 1/10W	R216			RK73FB2A561J	CHIP R 560	J 1/10W
R55			RK73FB2A104J	CHIP R 100K	J 1/10W	R217			RK73FB2A472J	CHIP R 4.7K	J 1/10W
R56			RK73FB2A302J	CHIP R 3.0K	J 1/10W	R218			RK73FB2A393J	CHIP R 39K	J 1/10W
R57			RK73FB2A274J	CHIP R 270K	J 1/10W	R219			RK73FB2A681J	CHIP R 680	J 1/10W
R58			RK73FB2A303J	CHIP R 30K	J 1/10W	R220			RK73FB2A472J	CHIP R 4.7K	J 1/10W
R59			RK73FB2A274J	CHIP R 270K	J 1/10W	R221			RK73FB2A333J	CHIP R 33K	J 1/10W
R60			RK73FB2A103J	CHIP R 10K	J 1/10W	R222			RK73FB2A154J	CHIP R 150K	J 1/10W
R61			RK73FB2A152J	CHIP R 1.5K	J 1/10W	R251-254			RK73FB2A152J	CHIP R 1.5K	J 1/10W
R62			RK73FB2A223J	CHIP R 22K	J 1/10W	R255,256			RK73FB2A472J	CHIP R 4.7K	J 1/10W
R63			RK73FB2A561J	CHIP R 560	J 1/10W	R257			RK73FB2A181J	CHIP R 180	J 1/10W
R64			RK73FB2A103J	CHIP R 10K	J 1/10W	R258			RK73FB2A222J	CHIP R 2.2K	J 1/10W
R65_66			RK73FB2A102J	CHIP R 1.0K	J 1/10W	R259			RK73FB2A333J	CHIP R 33K	J 1/10W
R67			RK73FB2A333J	CHIP R 33K	J 1/10W	R260			RK73FB2A151J	CHIP R 150	J 1/10W
R68_69			RK73FB2A113J	CHIP R 11K	J 1/10W	R261			RK73FB2A222J	CHIP R 2.2K	J 1/10W
R70			RK73FB2A152J	CHIP R 1.5K	J 1/10W	R262			RK73FB2A333J	CHIP R 33K	J 1/10W
R71			RK73FB2A103J	CHIP R 10K	J 1/10W	R263			RK73FB2A561J	CHIP R 560	J 1/10W
R81			RK73FB2A103J	CHIP R 10K	J 1/10W	R264			RK73FB2A472J	CHIP R 4.7K	J 1/10W
R82			RK73FB2A472J	CHIP R 4.7K	J 1/10W	R265			RK73FB2A393J	CHIP R 39K	J 1/10W
R83			RK73FB2A222J	CHIP R 2.2K	J 1/10W	R266			RK73FB2A561J	CHIP R 560	J 1/10W
R84			RK73FB2A183J	CHIP R 18K	J 1/10W	R267			RK73FB2A472J	CHIP R 4.7K	J 1/10W
R85			RK73FB2A102J	CHIP R 1.0K	J 1/10W	R268			RK73FB2A393J	CHIP R 39K	J 1/10W
R86			RK73FB2A103J	CHIP R 10K	J 1/10W	R269			RK73FB2A681J	CHIP R 680	J 1/10W
R87			RK73FB2A473J	CHIP R 47K	J 1/10W	R270			RK73FB2A472J	CHIP R 4.7K	J 1/10W
R88			RK73FB2A124J	CHIP R 120K	J 1/10W	R271			RK73FB2A333J	CHIP R 33K	J 1/10W
R89			RK73FB2A100J	CHIP R 10	J 1/10W	R272			RK73FB2A154J	CHIP R 150K	J 1/10W
R90			RK73FB2A392J	CHIP R 3.9K	J 1/10W	VR1			R10-3637-08	VARIABLE RESISTOR	
R91_92			RD14BB2C111J	RD 110	J 1/6W	VR2			R29-1612-08	VARIABLE RESISTOR(1-7)	
R93			RD14BB2C152J	RD 1.5K	J 1/6W	SW1			S40-2340-08	PUSH SWITCH	
R94			RK73FB2A221J	CHIP R 220	J 1/10W	SW2			S40-4065-08	PUSH SWITCH	
R95			RK73FB2A104J	CHIP R 100K	J 1/10W	SW3			S62-0822-08	SLIDE SWITCH	
R96			RK73FB2A682J	CHIP R 6.8K	J 1/10W						
R97			RK73FB2A332J	CHIP R 3.3K	J 1/10W						

E: Europe K:North America M: Other Areas
W: Without Europe

 indicates safety critical components.

KGC-4042A

PARTS LIST

*New Parts

Parts without **Parts No.** are not supplied.

Les articles non mentionnés dans le **Parts No.** ne sont pas fournis.

Teile ohne **Parts No.** werden nicht geliefert.

Ref. No.	A d d	N e w	Parts No.	Description	Des- tina- tion
D1 ,2			DSK10C-ET1	DIODE	
D3			MTZJ4.3A	ZENER DIODE	
D4 -6			1SS133	DIODE	
D7			MTZJ5.1B	ZENER DIODE	
IC1			NJM4580MD	IC	
IC2 ,3			NJM2068MD	IC(OP AMP)	
IC4			NJM2060M	ANALOGUE IC	
IC5			UPC4570G2	ANALOGUE IC	
Q1			2SC4640(T,U)	TRANSISTOR	

Ref. No.	A d d	N e w	Parts No.	Description	Des- tina- tion
Q2			2SC1741A(R)	TRANSISTOR	
Q3			2SC2060	TRANSISTOR	
Q4			DTA114ES	TRANSISTOR	
Q5			DTC114ES	TRANSISTOR	
Q6 ,7			2SA1782(T,U)	TRANSISTOR	
Q8 -12			2SC3327-A	TRANSISTOR	
Q201-205			2SC2712(GR)	TRANSISTOR	
Q251-255			2SC2712(GR)	TRANSISTOR	

E: Europe K:North America M: Other Areas

W: Without Europe

⚠ indicates safety critical components.

SPECIFICATIONS

Specifications subject to change without notice.

Equalizer Section

Equalizer Center Frequency 50Hz, 200Hz, 800Hz,
3.2kHz, 12.8kHz

Equalization Range -18~+18dB (500Hz, 200Hz)
-12~+12dB (800Hz, 3.2kHz, 12.8kHz)

Sub-woofer Cut-off Frequency 30~150Hz (variable)

Sub-woofer Output Gain -∞~+10dB

Sub-woofer Cut-off Slope 12dB/oct

Audio Section

Input Impedance 10kΩ

Output Impedance 600Ω

Signal to Noise Ratio 100dB

T.H.D. 0.01%

Frequency Response (-3dB) 10Hz~60kHz

Gain 0dB

General

Operating Voltage 14.4V (11~16V)

Current Consumption (MAX) 0.18A

Dimensions (WxHxD) 89×25×130 mm (3-1/2×1×5-1/8 in)

Weight 0.4 kg (0.9 lb)

KENWOOD follows a policy of continuous advancements in development. For this reason specifications may be changed without notice.

KENWOOD CORPORATION

14-6, Dogenzaka 1-chome, Shibuya-ku, Tokyo, 150-8501 Japan

KENWOOD SERVICE CORPORATION

P.O. Box 22745, 2201 East Dominguez Street,
Long Beach, CA90801-5745, U.S.A.

KENWOOD ELECTRONICS CANADA INC.

6070 Kestrel Road, Mississauga, Ontario, Canada L5T 1S8

KENWOOD ELECTRONICS LATIN AMERICA S.A.

P.O. Box 55-2791 Paitilla, Plaza Credicorp Bank Panama,
Piso 9, Oficina 901, Calle 50, Panama, Republic of Panama

KENWOOD ELECTRONICS BRASIL LTDA.

Alameda Ministro Rocha Azevedo No. 456,
Edifício Jaú, 10o Andar, Cerqueira César, Cep 0140-001,
São Paulo-SP-Brasil

KENWOOD ELECTRONICS UK LIMITED

Kenwood House, Dwight Road, Watford,
Herts, WD1 8EB, United Kingdom

KENWOOD ELECTRONICS DEUTSCHLAND GMBH

Rembrücker-Str. 15, 63150 Heusenstamm, Germany

KENWOOD ELECTRONICS FRANCE S.A.

13, Boulevard Ney, 75018 Paris, France

KENWOOD ELECTRONICS BELGIUM N.V.

Mechelsesteenweg 418, B-1930 Zaventem, Belgium

KENWOOD ELECTRONICS ITALIA S.p.A.

Via G. Sirtori 7/9, 20129 Milano, Italy

KENWOOD IBÉRICA S.A.

Bolivia, 239-08020 Barcelona, Spain

KENWOOD ELECTRONICS AUSTRALIA PTY. LTD.

(A.C.N. 001 499 074)
16 Giffnock Avenue, Centrecourt Estate, North Ryde,
N.S.W. 2113, Australia

KENWOOD ELECTRONICS (HONG KONG) LTD.

Unit 3712-3724, Level 37, Tower 1, Metroplaza,
223 Hing Fong Road, Kwai Fong, N.T., Hong Kong

KENWOOD ELECTRONICS GULF FZE

P.O. Box 61318, Jebel Ali, Dubai, U.A.E.

KENWOOD ELECTRONICS (THAILAND) CO., LTD.

2019 New Pechburi Road, Bangkapi, Huaykwang,
Bangkok, 10320 Thailand

KENWOOD ELECTRONICS SINGAPORE PTE. LTD.

1 Genting Lane, #07-00, Kenwood Building, Singapore 349544

KENWOOD ELECTRONICS (MALAYSIA) SDN BHD

#4.01 Level 4, Wisma Academy, Lot 4A, Jalan 19/1,
46300 Petaling Jaya, Selangor Darul Ehsan, Malaysia